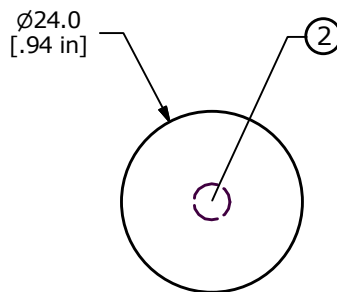
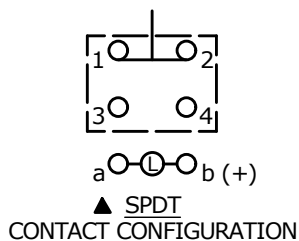
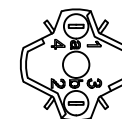
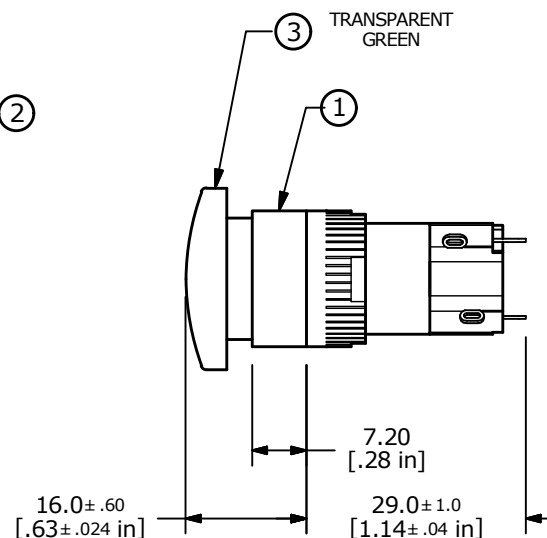


PANEL MOUNTING



PARTS LIST			
ITEM	QTY	PART NUMBER	DESCRIPTION
1	1	F040006	D16EER11
2	1	F050422	24 VDC GREEN LED
3	1	F051211	50-012-31 MUSHROOM CAP - GREEN (TRANSPARENT)



- NOTE:
1. ALL DIMENSIONS IN MM [INCH].
 2. GENERAL TOLERANCE: X.X = ±0.4
X.XX = ±0.25
 3. TERMINAL NUMBERS FOR REF ONLY.
 4. RATING: 5A @ 250VAC UL, VDE
8A @ 125VAC UL, VDE
6A @ 24VDC
0.2A @ 250VDC
 5. ELECTRICAL LIFE: 50,000 MAKE-AND-BREAK CYCLES
AT FULL LOAD min.
 6. INSULATION RESISTANCE: 1,000 MEGA-OHM min.
 7. OPERATING TEMP.: -25°C to +55°C
 - ▲ 8. LAMP: 24 VDC (GREEN) LED
 9. PANEL THICKNESS: 0.5mm to 5.0 mm
 10. ▲ DENOTES CRITICAL PARAMETER.
 11. PACKAGE: BOX / 20 PIECES PER BOX
 12. DEGREE OF PROTECTION: IP40
 13. TRAVEL: 3.0mm FULL, 2.0mm LATCH



B	24126	update, correct dim. to 29.0	12/12/19	MW
A	18908	Release For Production	3/17/10	BLR
REV	PCR NO	DESCRIPTION	DATE	BY

TITLE D16EER1KGRNGRN				
SCALE	DATE	DR	DWG	REV
2:1	3/17/2010	BLR	XF0817P	B

THE INFORMATION CONTAINED IN THIS DOCUMENT IS PROPRIETARY TO E-SWITCH AND IS NOT TO BE COPIED OR TRANSFERRED